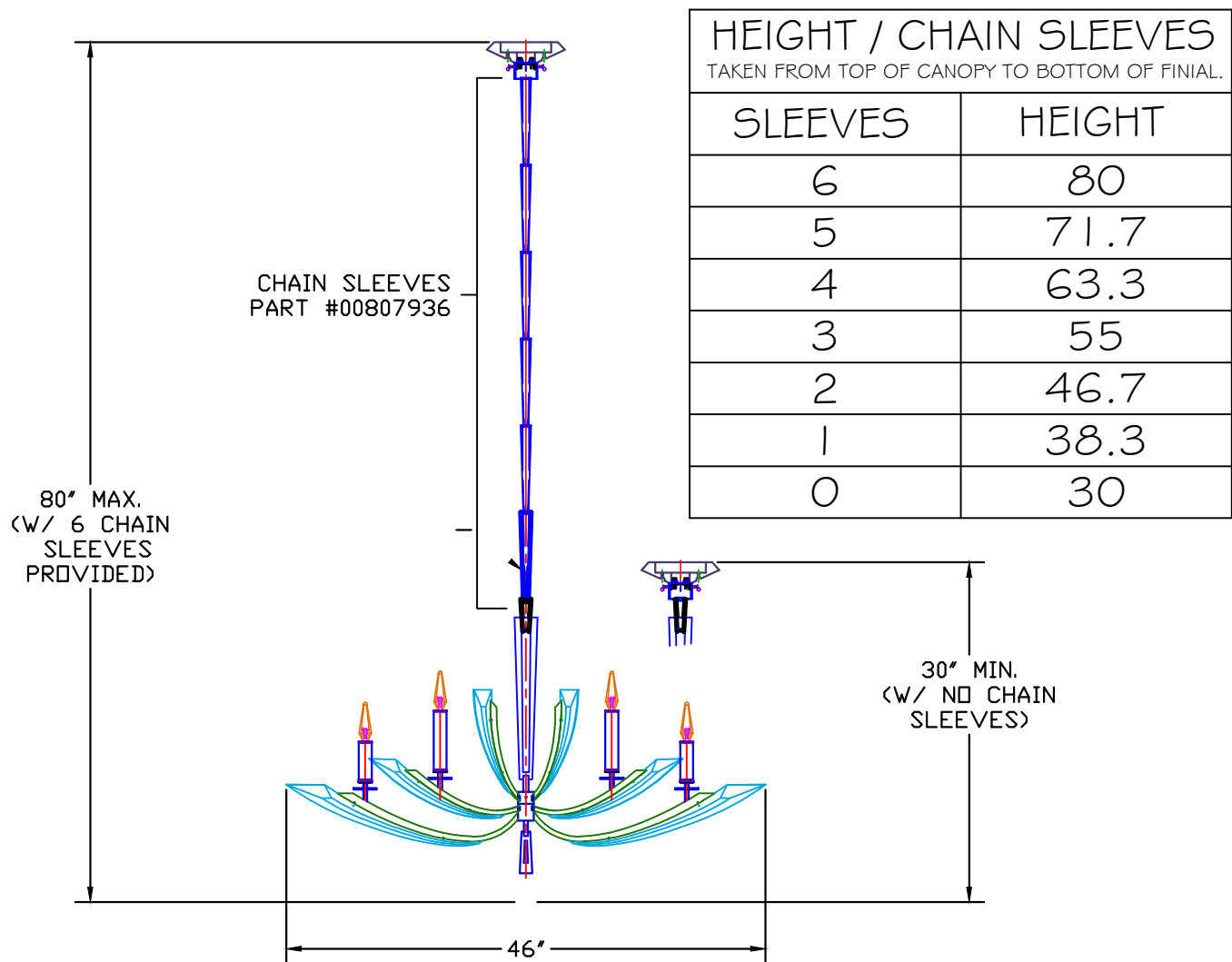
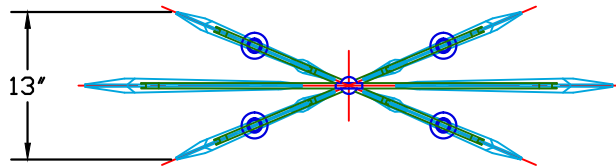


# INSTRUCTION



HEIGHT / CHAIN SLEEVES	
TAKEN FROM TOP OF CANOPY TO BOTTOM OF FINIAL.	
SLEEVES	HEIGHT
6	80
5	71.7
4	63.3
3	55
2	46.7
1	38.3
0	30

STYLE(S) #: 798140



This drawing, specifications and the product depicted are the exclusive property of Fine Art Handcrafted Lighting®. In compliance with US copyright and patent requirements, notice is hereby given that this document and the product depicted shall not be copied, altered or used in any manner without the expressed written consent of Fine Art Handcrafted Lighting®.

www.finearthl.com

Tel:(305) 821-3850  
FINE ART LAMPS®

Fax:(305) 513-5736

INSTRUCTION #:

00790900

SHEET

1 / 1